

# ALLEN & HEATH



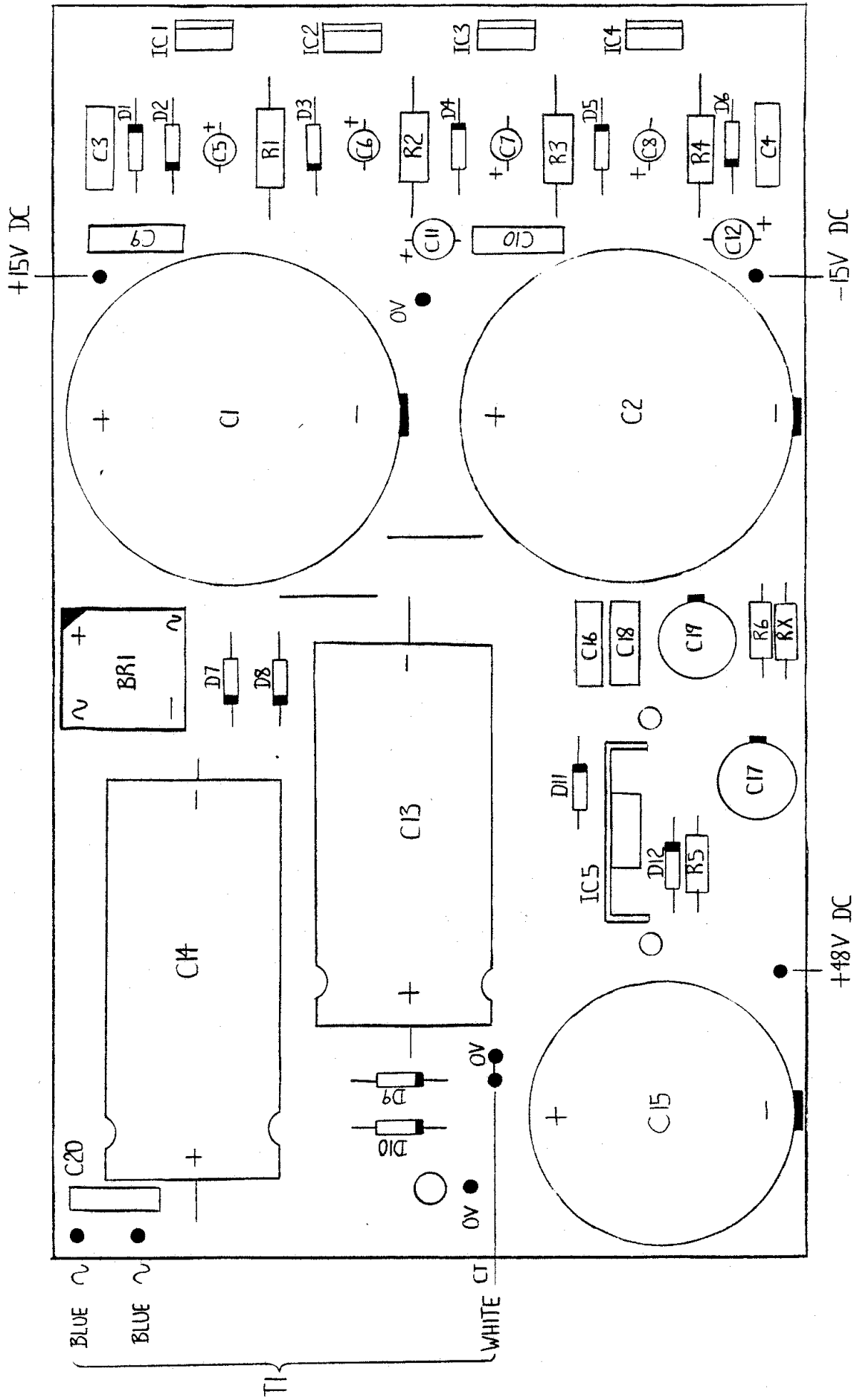
## **WARNING – HIGH VOLTAGES**

Power Supply Unit (PSU) work should only be carried out by qualified personnel.

We recommend that you use an approved Allen & Heath service centre for all power supply work.

Please contact your local Allen & Heath distributor for more details.

<http://www.allen-heath.com/>

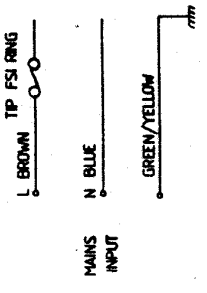
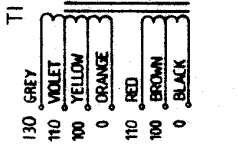
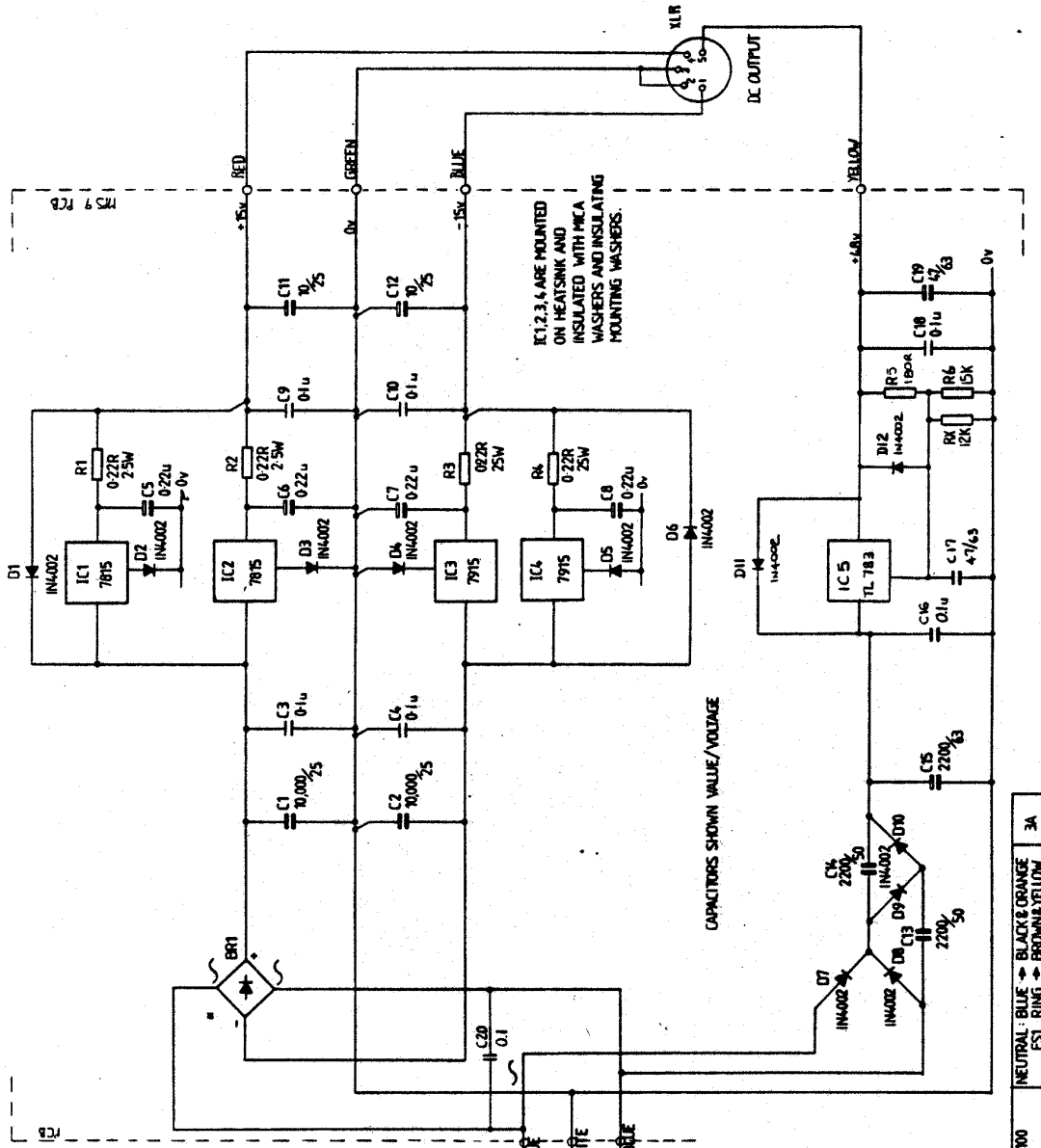


COMPONENT OVERLAY

AG0114 ISSUE 4

MPS9 PCB

AHB CMC SERIES



CAPACITORS SHOWN VALUE/VOLTAGE

IC1,2,3,4 ARE MOUNTED ON HEATSINK AND INSULATED WITH MICA WASHERS AND INSULATING MOUNTING WASHERS.

A.C. LINE Input voltage	TRANSFORMER WIRING	FUSE rating
240	NEUTRAL: BLUE ↔ BLACK RED ↔ ORANGE FSI RING ↔ GREY	1A T
220	NEUTRAL: BLUE ↔ BLACK FSI RING ↔ ORANGE FSI RING ↔ VIOLET	1A T
110	NEUTRAL: BLUE ↔ BLACK & ORANGE FSI RING ↔ RED & VIOLET	3A T

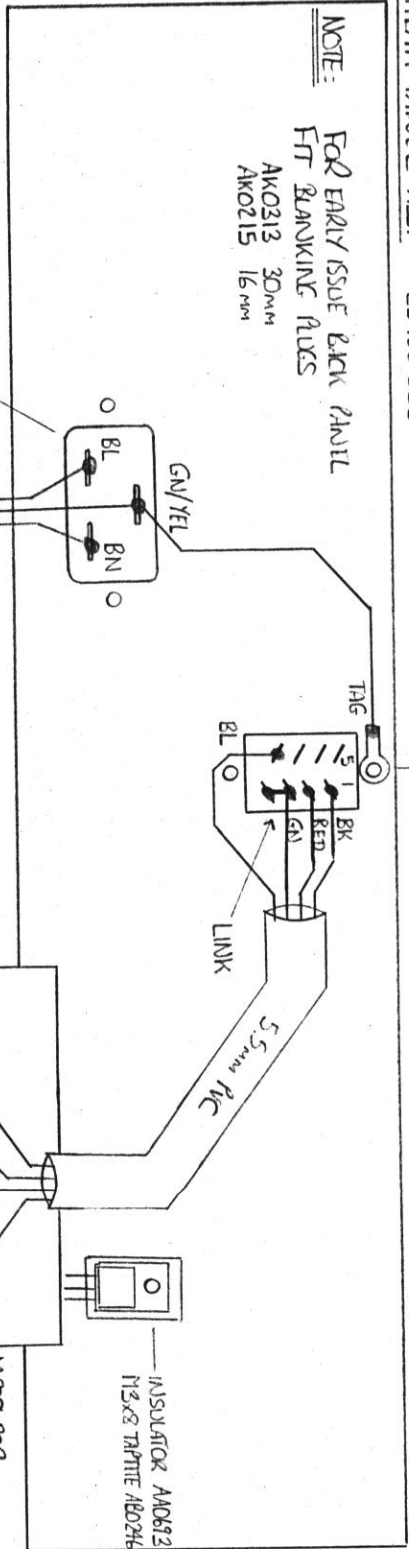
100	NEUTRAL: BLUE ↔ BLACK & ORANGE FSI RING ↔ BROWN & YELLOW	3A
-----	-------------------------------------------------------------	----

3	T1 Change	GHR	10/2/85	CNC SERIES	AHB	69 SHIP STREET	DRAWN	TRACED	CHECKED	APPROVED	DATE	SCALE
2	TR1 Change	GHR	12/11/84	P.S.U. MPS 9	BRIGHTON BN1 1AE	RSR	RSR	KRP	GMR/CD		11/10/84	
PCB AG07M ISSUE 4 • BR1 FITTED WITH HEATSINK												
TEL 0273 24928												
DRAWING No. MBD122 iss 4												
ALTERATIONS												
No.	DESCRIPTION		CHK'D	DATE								



REAR PANEL ASSY ZS900-023

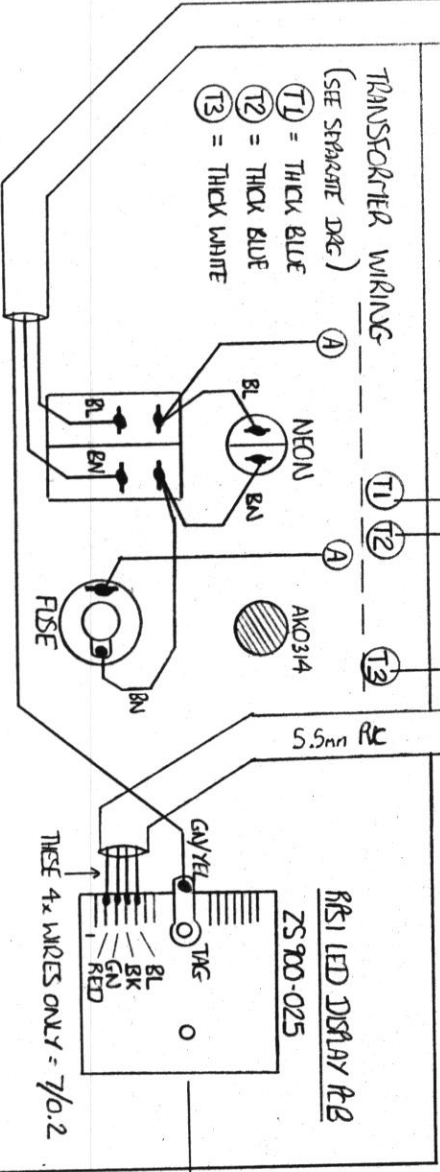
NOTE: FOR EARLY ISSUE BACK PANEL  
FIT BLANKING FLUX  
AK0313 30mm  
AK0215 16mm



TOP WIRING VIEW

FRONT PANEL ASSY ZS900-024

NOTE: WRAP & SLEEVE ALL MAINS JOINTS  
WITH HELTERMINU RUBBER SERVING



TOP

WIRE IS 16/0.2 EXCEPT FOR  
LED PCB WIRING

COMPLETE ASSY:

RS1 240V ZS900-908

FUSE INSERT 20mm AL03  
FUSE 20mm 1A T AL03

RS1 110V ZS900-909

FUSE INSERT 1/4" AL051  
FUSE 1/4" 5A T AL054

M3x20 CSK A80080  
M3.65/PCER A80137  
M3 STIFFENUT A80102

A.C. input fuse      D.C. output

110V    240V

1.25"    20mm

3A.T.    1A.T.

+15V

-15V

+48V

**POWER SUPPLY RPS1**



**POWER SUPPLY MODEL RPS1**  
made in England by **VHB**

AC input 50/60Hz. set for  V

**CAUTION** high voltage hazard.  
Disconnect AC supply before removing covers.

Fuse on front panel.  
DC ground not connected to AC earth.



**POWER SUPPLY** SERIAL No.

TYPE **MPS 7** -

OUTPUT A + **15** V. DC    **2.5** A MAX

OUTPUT B + **48** V. DC    **0.15** A MAX

**WARNING HIGH VOLTAGE INSIDE!**

MAINS INPUT  V. AC ~ 50/60 Hz

FUSE  A   

AHBLTD, LONDON, ENGLAND

NOMINAL MAINS INPUT	RANGE	FUSE RATING - TYPE	TERRITORY
240 V.AC	235 - 245 V.AC	1 AT 20x5 mm	U.K.
220 V.AC	210 - 230 V.AC	1 AT 20x5 mm	Europe/Ireland
110 V.AC	105 - 120 V.AC	3 AT 1½x½"	America
100 V.AC	96 - 106 V.AC	3 AT 1¼x¼"	Japan